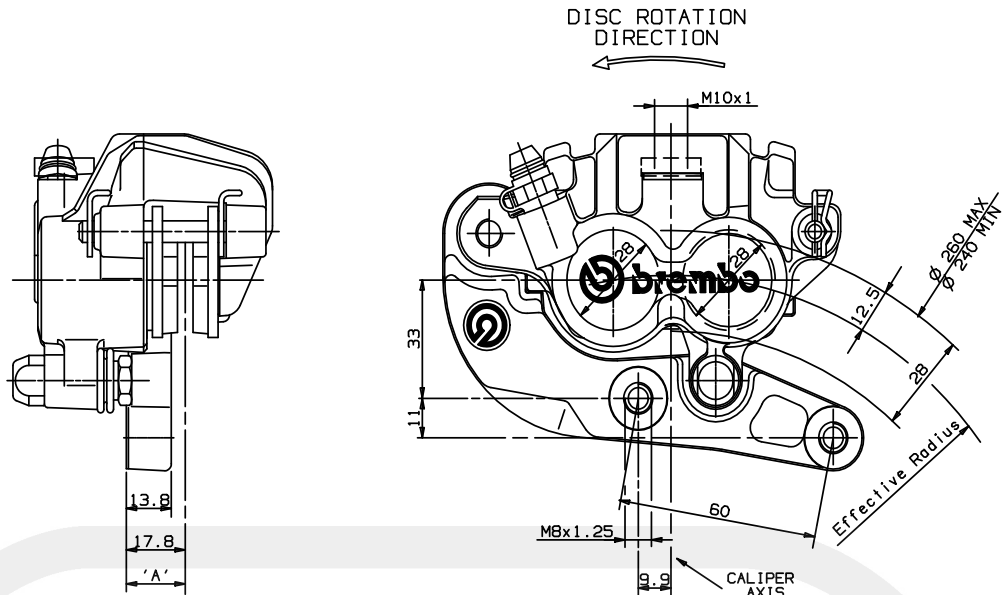


	<h1>FLOATING CALIPER</h1>	PF 2x28 D	
		22.5930.11 B	

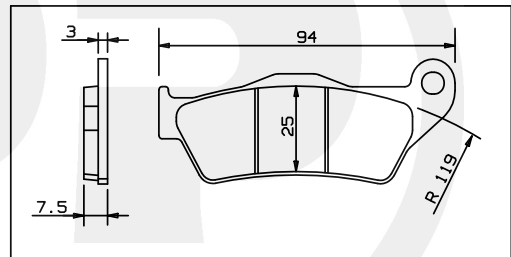


DESCRIPTION

Floating caliper with 2 pistons.
 Caliper's body slides on one bracket.
 Pads are supported by one pin and one bracket.
 Construction Material: Aluminium Alloy.
 Operating fluid: brake fluid DOT4.

N.B.: drawing shows left side caliper.
 Mounting side behind the fork.

PADS SHAPE AND DIMENSIONS



TECHNICAL CHARACTERISTICS

Pistons number and diameter:	2 28mm	Average pad surface (1 pad):	16.18 cm ²
MAX working pressure:	70bar	Weight (with sintered pads):	0.775 Kg
A) Disc position (TOLERANCE):	±0.8 mm		
Usable disc diameter:	240/260 mm		

CONFIGURATION

CODE CALIPER / CHARACT.	PADS FRICTION MATERIAL	BODY COLOR	BRACKET COLOR	MOUNT. SIDE	USABLE DISCS THICKNESS	BRAKE FLUID FOR PADS WEAR
22.5930.11	TOSHIBA H38 GF	NATURAL	NATURAL	SX	3.8 mm	10.60 cm ³

AVAILABLE SPARE PARTS

CODE CALIPER / SPARE PARTS	PADS	BLEEDER SCREW	DUST COVER	BOOTS	PIN/RETAINER	SPRING/STEEL CLIP
22.5930.11	107.5269.13	105.3387.60	105.1502.20	122.4746.14	122.5089.21	120.4683.20

Indicating informations subject to modification.
 For further specifications contact Technical Section.

LAST UPDATE: 11/07/1998